



# Korry

*Illuminating. Always.*



## Chromalux® 318

High Reliability ½ x 1-inch LED Indicators

The Chromalux 318 indicator — now with patent-pending LED lighting — eliminates lamp failures and replacements.

All required power conditioning and dimming circuitry are included in the LED caps, which are interchangeable with traditional incandescent caps. No aircraft modifications are required.

The Chromalux 318 is used on every Boeing 727 and 737 and other commercial and military platforms. The new LED version offers dramatic maintenance-cost savings in any application, as well as the highest possible lighting reliability for critical systems.

A splash-proof version, designated the 317, offers added protection for center console applications.



## The advantages of LED lighting

Chromalux 318 indicators with LED arrays offer significant performance and cost benefits. Retrofit and new installation are simple and quick because LED caps are interchangeable with incandescent caps and include all required power conditioning and dimming circuitry. No modification to aircraft power or wiring is needed.

### Life-of-the-aircraft longevity

An LED 318 has a typical illumination life of 100,000 hours versus 1,000 hours for incandescent lamps.

### Lower maintenance costs

By never having to replace lamps, you save continually on lamp inventory, labor, and avoided lamp-failure AOGs.



## Advantages of the Chromalux 318

- Uniform, sunlight-readable legend with life-of-the-aircraft dimmable LEDs
- Shock-proof and vibration-proof performance with latched cap and secure contacts
- Easy installation
- Optional switch for illumination- test or press-to-reset function
- Choice of ground-seeking or positive-seeking circuit
- Five-year product warranty.

## Environmental

Chromalux 318 indicators have been tested to environments identified in Boeing Specification 10-61803. The incandescent or LED night-vision version meets additional MIL-Spec requirements. Please contact us for details.

318 LED versus incandescent



### Improved legend uniformity

LED arrays provide more light sources than incandescent lamps. Color and brightness are more uniform.

### Reduced power consumption and surface temperature

LEDs reduce power consumption by as much as 50 percent and also lower the temperature of the display face.

## LED retrofit part number correspondence

Incandescent	LED
318-630-1001-xxx	318-630-2001-xxx
318-630-1002-xxx	318-630-2002-xxx
318-630-1010-xxx	318-630-2010-xxx
318-630-1011-xxx	318-630-2011-xxx
317-631-1001-xxx	317-631-2001-xxx
317-631-1002-xxx	317-631-2002-xxx

## Legends

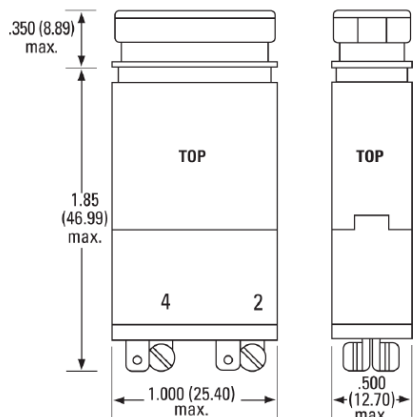
Legend Type	Unlighted	Lighted
2G	Translucent letters & borderline, black background	Colored lighted letters & borderline, black background
2G2	Translucent letters, black background	Colored lighted letters, black background
7B	Colored letters & background	White lighted letters, colored lighted background



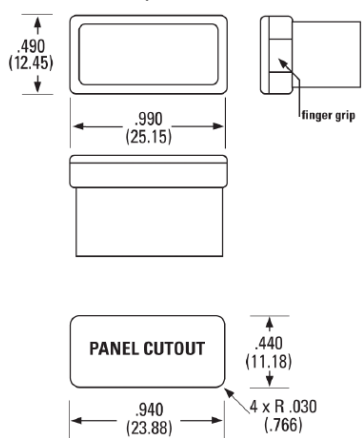
## Mechanical

Note: dimensions are in inches (mm)

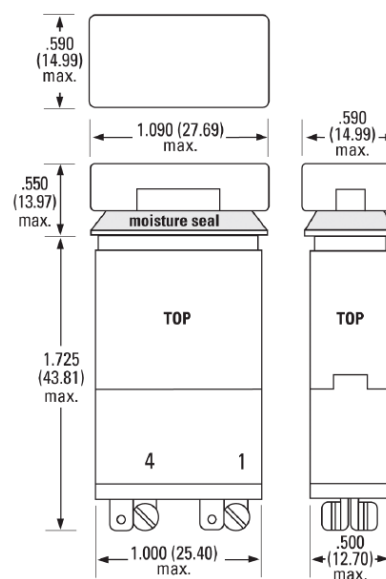
### Chromalux 318



### LED cap



### Optional moisture seal (Chromalux 317)



## Electrical

### Circuit options

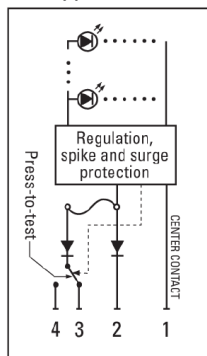
Units are energized two ways:

1. By closing a control or master-test switch in the external circuit
2. By closing the internal press-to-test switch (optional)

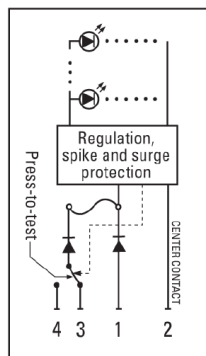
Two basic internal circuits are available

1. Ground seeking: illumination control through switch in ground leg of external circuit
2. Positive seeking: illumination control through switch in positive leg of external circuit

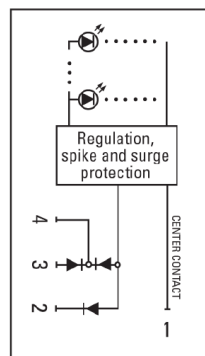
### Type 1 LED



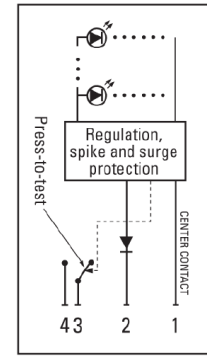
### Type 2 LED



### Type 3 LED



### Type 4 LED



## Illumination

Standard: LED arrays with power-conditioning and dimming circuitry.

Optional: two T-1-3/4 incandescent bulbs in 28 V.

## Operating Characteristics

Cap extraction 5 pounds (2.27 kg) max.

Cap insertion 5 pounds (2.27 kg) max.

Test and reset switch

Travel 0.1 inch (2.54 mm)

Actuation force 40 ounces (1.13 kg) max.

## Terminals

Screw terminals are standard. For other terminations, please contact us.

## Fonts

Legends are available in many fonts. Widely used choices include Futura Medium, Futura Medium Condensed, Helvetica Light, Gorton Normal, Gorton Normal Condensed, Gorton Extra Condensed.



**Flicker-free lighting**

Spring-loaded, concave power contacts ensure steady lighting, even during shock and vibration.

**Illumination-test and reset switch**

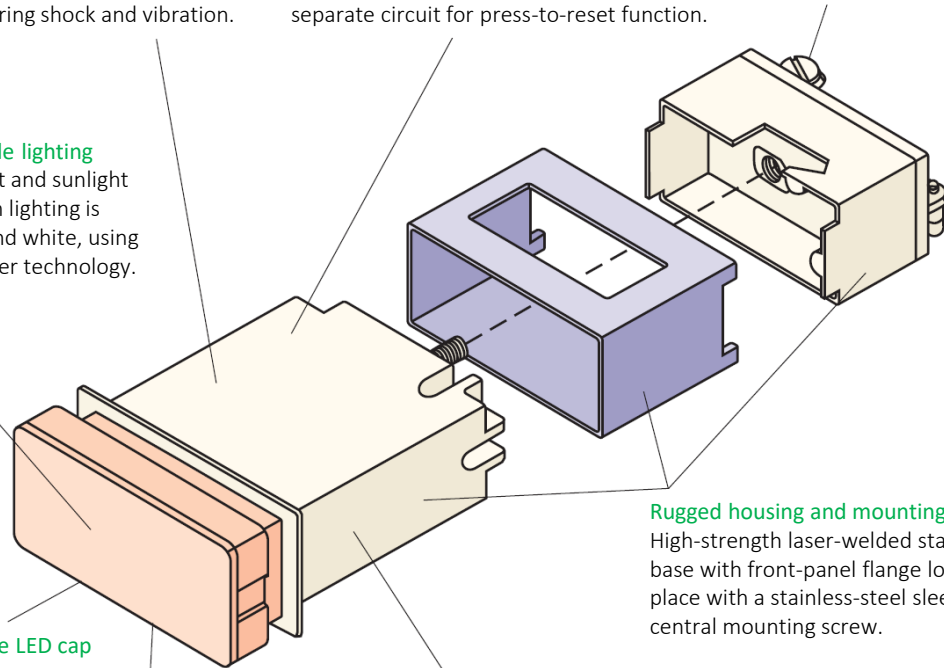
One option allows convenient testing of the illumination circuit. Another option provides separate circuit for press-to-reset function.

**Termination**

Four screw terminals allow easy wiring.

**High-performance sunlight-readable lighting**

High-contrast legend is uniformly lit and sunlight readable. Incandescent night-vision lighting is optional — in green, yellow, red, and white, using Korry shatterproof Nightshield® filter technology.



**Life-of-the-aircraft, interchangeable LED cap**

Frequent lamp replacement is no longer necessary. An array of LEDs and specialized optics are housed in the cap, along with power-conditioning and dimming circuitry. LED and incandescent caps are fully interchangeable.

**Optional splash-proof seal**

Optional cap configuration (Chromalux 317) with external boot shuts out dust, moisture, and other contaminants.

**Shock-proof cap retention**

Latch in base assembly retains cap through extreme shock and vibration. A firm tug releases cap, if necessary.

**Rugged housing and mounting**

High-strength laser-welded stainless-steel base with front-panel flange locks unit in place with a stainless-steel sleeve and central mounting screw.

## Chromalux 318 indicators take reliability to a new level with life-of-the-aircraft, sunlight-readable LED illumination

For years, aircraft operators have relied on the rugged construction and exceptional lighting of the Chromalux 318 for high performance with minimal maintenance. Now it comes standard with new patent-pending LED lighting from Korry, ending any need for lamp replacement and still providing a uniform, high-contrast, sunlight-readable legend.

The lighting reliability of the LED Chromalux 318 is especially useful for critical displays in safety systems, such

as enhanced ground proximity warning systems (EGPWS), predictive wind shear systems, and cargo fire/smoke programs. Options include a choice of circuits, an illumination-test or reset switch, and an external splash-proof seal. Conventional incandescent units are still available as an option.

If your requirement is not addressed here, please consult us. The necessary option may be available on special order, or we could recommend an alternate solution.



*Illuminating. Always.*

For more information contact us at:  
+1 425-297-9700 or sales@korry.com

[www.korry.com](http://www.korry.com)

Korry Electronics  
11910 Beverly Park Rd.  
Everett, WA 98204

APPROVED FOR PUBLIC RELEASE | DISTRIBUTION UNLIMITED

The information and data given are typical for the equipment described. However, any individual item is subject to change without any notice